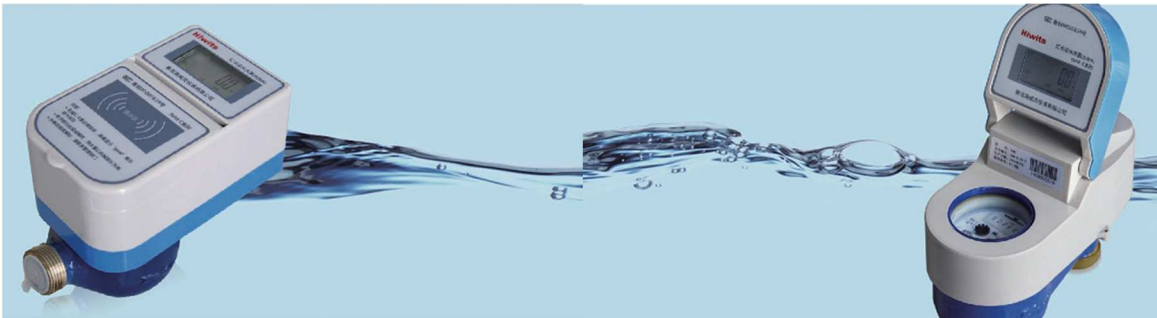


SVM-C Standard Water Meters



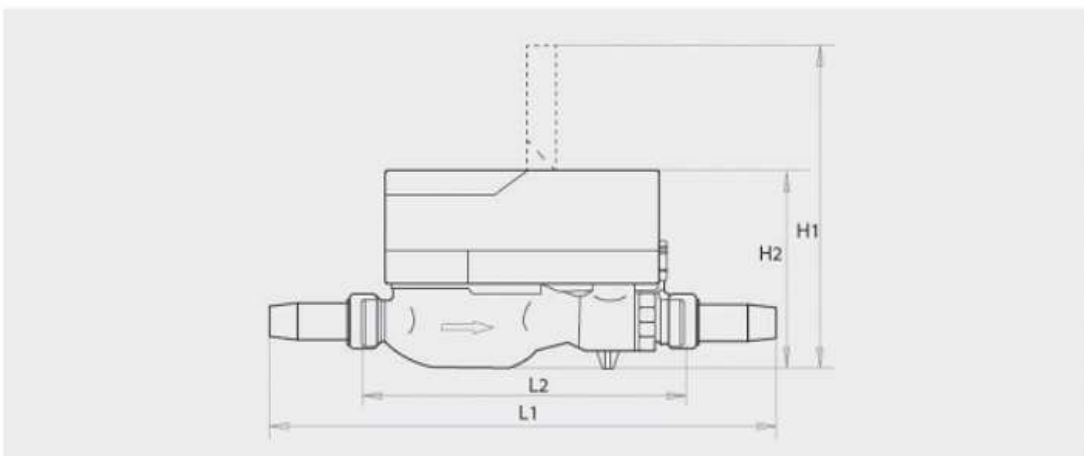
Product Features

1. Use non-contact logic encryption RF card, ensure data safe and reliable.
2. LCD supports the users to check the use of water conveniently.
3. The valve design is unique. The maintenance is automatic periodically to ensure long-term reliable operation.
4. The body is made of high quality brass and the movement is made of food-grade plastic to ensure the quality of health and safety.
5. Low-power consumption design, high-energy batteries, ensuring long-term stability of measurement, battery is easy to change.
6. Excellent seal design with good moisture-proof and water-proof performance.

Technical Data

Working voltage	3.6V
Working temperature	5°C-55°C
Static state current	<15uA
Maximum allowable pressure	1.0(Mpa)
On/off time	≤13S
Relative humidity	≤93%RH
Communication mode	None/Rs485/Mbus
Standard	GB/T 778.1~3-2007、CJ/T 224-2012

Horizontal type water meter

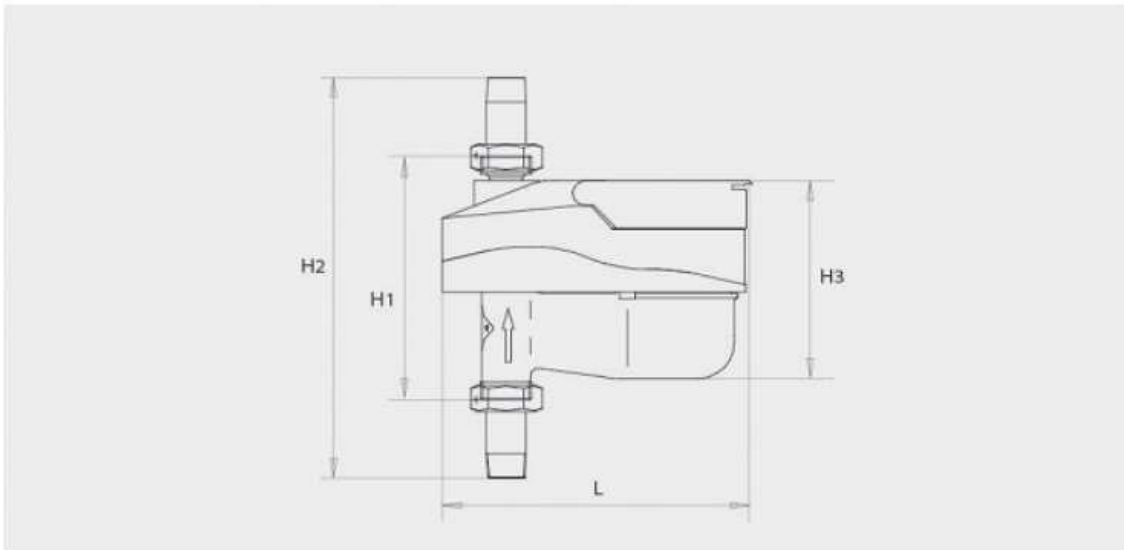


INTELLIGENT SMART METERS

Diameter	Dimension(mm)				Threaded Connection		Nominal Flow	Start Flow	Flow Ratio	Min Reading	Max Reading
	L1	L2	H1	H2	Adapter	Nut	M ³ /H	L/h		M ³	M ³
DN15	259	165	192	116	R $\frac{1}{2}$	G $\frac{3}{4}$	2.5	6-8	R80/R100/ R125	0.1	99999.9
DN20	299	195	192	116	R $\frac{3}{4}$	G1	4				
DN25	345	225	192	116	R1	G1 $\frac{1}{4}$	6.3				



Vertical type water meter



Diameter	Dimension(mm)				Threaded Connection		Nominal Flow	Start Flow	Flow Ratio	Min Reading	Max Reading
	L	H1	H2	H3	Adapter	Nut	M ³ /H	L/h		M ³	M ³
DN20	203	160	264	130	R $\frac{3}{4}$	G1	4	6-8	R80	0.1	99999.9
DN25	203	160	280	130	R1	G1 $\frac{1}{4}$	6.3				

INTELLIGENT SMART METERS

VM-R Water-saving Water Meter



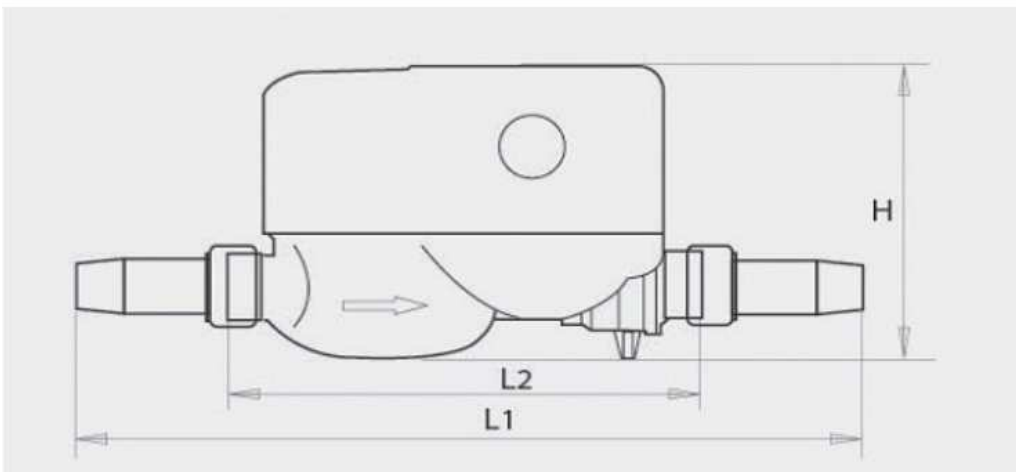
Product Features

1. Use non-contact logic encryption RF card, ensure data safe and reliable.
2. LCD supports the users to check the use of water conveniently.
3. The valve design is unique. The maintenance is automatic periodically to ensure long-term reliable operation.
4. The body is made of high quality brass and the movement is made of food-grade plastic to ensure the quality of health and safety.
5. Low-power consumption design, high-energy batteries, ensuring long-term stability of measurement, battery is easy to change.
6. Excellent seal design with good moisture-proof and water-proof performance.
7. SVM-R series water-saving water meter has a unique anti-slip technology.

Technical Data

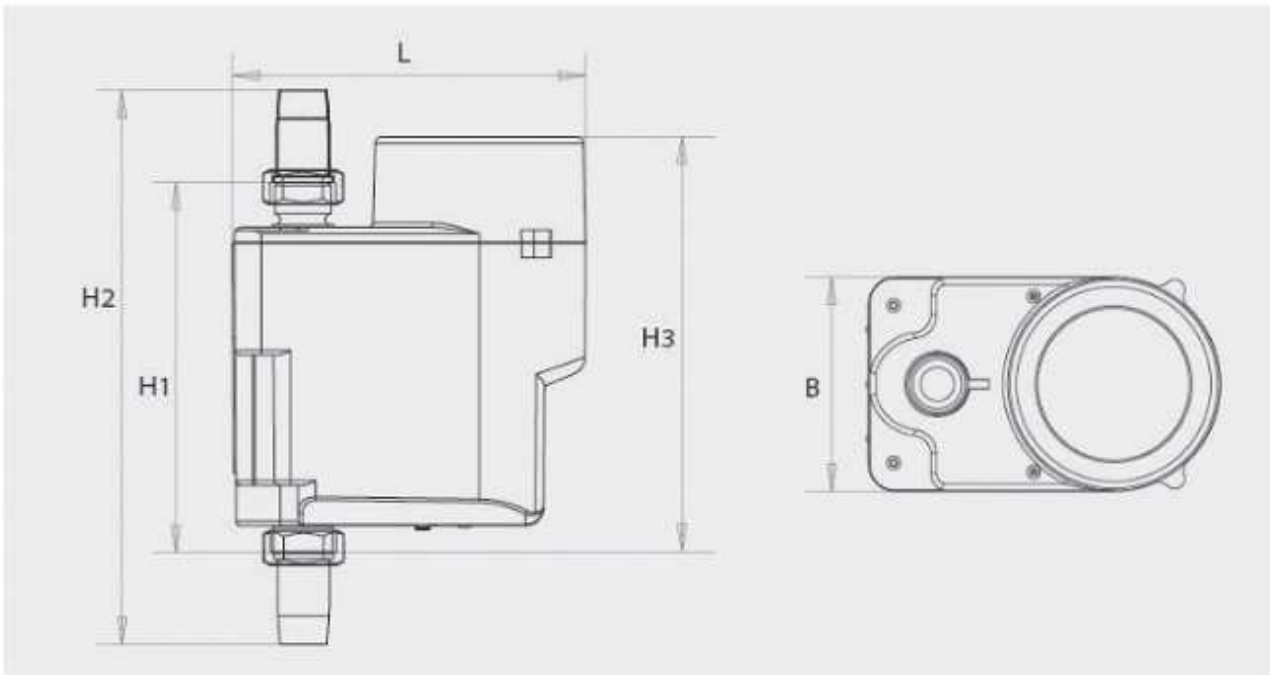
working voltage	3.6V
working temperature	5°C-55°C
static state current	<15uA
Maximum allowable pressure (Mpa)	≤1
On/off time	≤13S
Relative humidity	≤93%RH
communication mode	None/RS485/Mbus
Standard	GB/T 778.1~3-2007、CJ/T 224-2012

Horizontal type water meter



INTELLIGENT SMART METERS

Diameter	Dimension(mm)			Threaded Connection		Nominal Flow	Start Flow	Flow Ratio	Min Reading	Max Reading
	L1	L2	H	Adapter	Nut					
DN15	255	165	119	R½	G¾	2.5	2-3	R80/R100/R125	0.1	99999.9
DN20	295	195	119	R¾	G1	4				
DN25	341	225	119	R1	G1¼	6.3				



Diameter	Dimension(mm)					Threaded Connection		Nominal Flow	Start Flow	Flow Ratio	Min Reading	Max Reading
	L	H1	H2	H3	B	Adapter	Nut					
DN15	158	165	255	185	95	R½	G¾	2.5	2-3	R80	0.1	99999.9
DN20	158	185	285	205	95	R¾	G1	4				
DN25	158	215	331	219	95	R1	G1¼	6.3				