



INTELLIGENT ULTRASONIC SMART METERS

Product Highlights

Outstanding Performance

With extraordinary measurement performance, U-WR represents the current advanced ultrasonic water meter technology. U-WR is to enable our customers to accelerate their businesses, with higher accuracy, wider dynamic range and easier installation.

- R250/R400
- U0/D0
- Lowest flow rate: 2 L/h
- Vertical and horizontal installation
- No air measurement



Wireless Communication

U-WR built in an advanced Low Power Long Range two-way radio Communication module to provide the foundation for AMI network.

Non-Revenue Water Protection

Integrated with advanced wireless communication technology, MDC, MDM system and outstanding metrological performance, U-WR offer a solution to significantly reduces non-revenue water and gains more benefit for utility.



Long lifetime/Stable Accuracy

With innovative design, U-WR holds a lifetime of 12+ years. This features a maintenance-free quality in its full life time which can significantly reduce the management works of water supply companies.

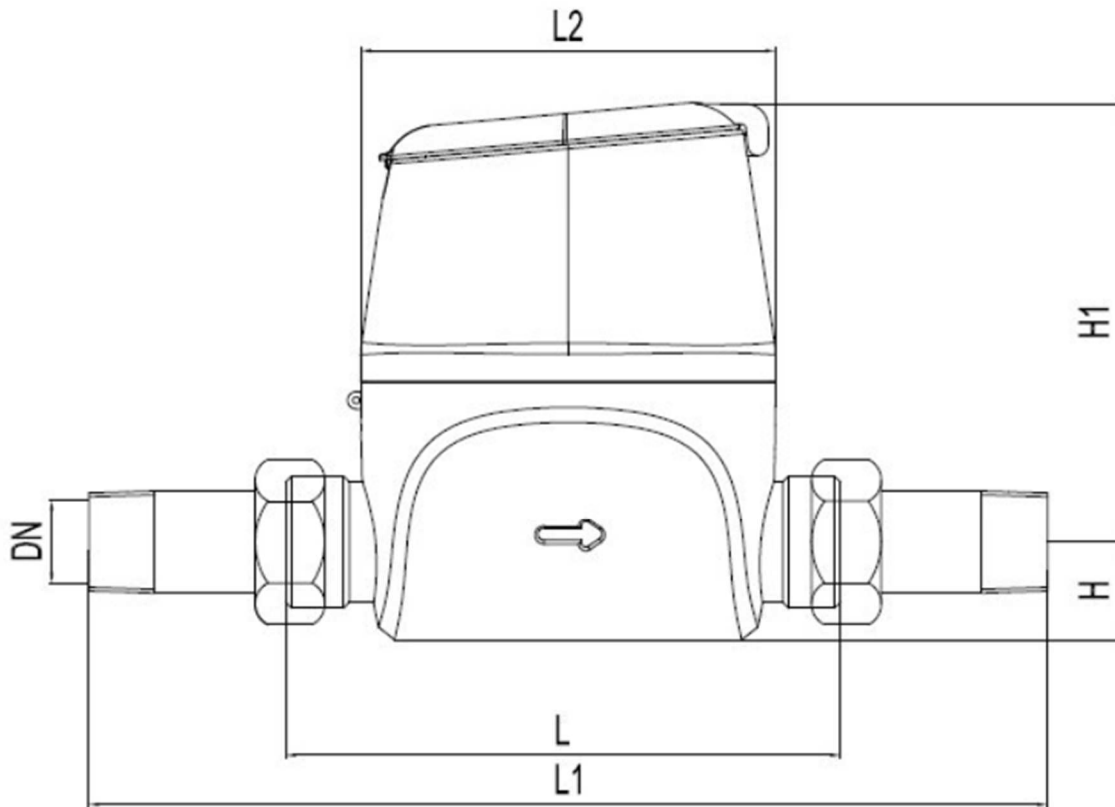


INTELLIGENT ULTRASONIC SMART METERS

Related Products

	DN15	DN20
Range & Capacity		
Q ₃	2.5m ³ /h	4.0m ³ /h
Q ₄	3.125m ³ /h	5.0m ³ /h
Q ₂	10L/h	16L/h
Q ₁	6.25L/h	10L/h
Q _{start}	2L/h	
Dynamic Range	R250/R400	
Standard	ISO4064: 2014 / OIML: R49-2013	
Electrical		
Battery	3.6V, Li-battery	
EMC	E1	
Mechanical		
Environmental Classification	Class C	
Protection Class	IP68	
Medium Temperature	0.1~50°C (T50)	
Storage Temperature	-25~55°C	
MAP	PN16	
Metrological		
Accuracy	±5% in range Q ₁ ≤ Q < Q ₂	
	±2% in range Q ₂ ≤ Q ≤ Q ₄	
Head Loss	0.4bar@Q ₃	
Communication		
LoRa RF	LoRaWAN	
M-Bus	EN13757	
Pulse Output	Customized	

Dimension

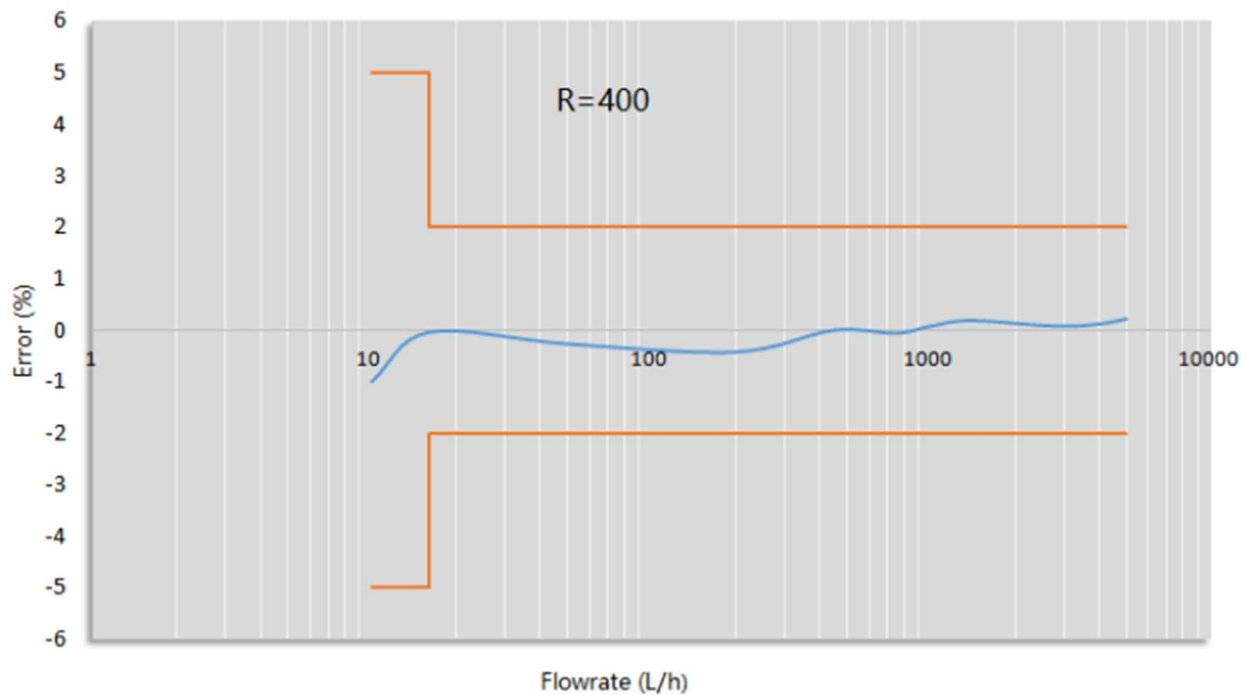


DN	L (mm)	Meter Thread	Pipe Thread	Extension Pipe Used	L2(mm)	H(mm)	H1(mm)	Type
15	110	$G\frac{3}{4}-B$	$R\frac{1}{2}$	None	82	19.5	87	A1
	130	$G\frac{3}{4}-B$	$R\frac{1}{2}$	$G\frac{3}{4}-B \times 20$	82	19.5	87	B1
	165	$G\frac{3}{4}-B$	$R\frac{1}{2}$	$G\frac{3}{4}-B \times 55$	82	19.5	87	C1
	190	$G\frac{3}{4}-B$	$R\frac{1}{2}$	$G\frac{3}{4}-B \times 80$	82	19.5	87	D1
20	110	G1B	$R\frac{3}{4}$	None	82	22	90	A2
	165	G1B	$R\frac{3}{4}$	G1B x 55	82	22	90	C2
	190	G1B	$R\frac{3}{4}$	G1B x 80	82	22	90	D2
	220	G1B	$R\frac{3}{4}$	G1B x 110	82	22	90	E2



INTELIGENT ULTRASONIC SMART METERS

Accuracy Curve



Our Solution



EMR System is a cloud-based smart water meter reading and management system which adopts LoRaWAN Protocol and integrates the water measuring, data transmission, collection, storage and analysis, enabling water utilities as well as water consumers to closely monitor the water usage without additional labor work. It is equipped with an advanced device maintenance function as well, which significantly improves utility/company work efficiency and device management.



INTELIгент ULTRASONIC SMART METERS

Our Company

Founded 1997	Employees 600+	Global Footprint CIS South America Australia Asia Europe
IPO 2017.2	Customers 500+	Revenue (US\$ Million) 2014: 38.2 2015: 47.3 2016: 68.4

Related Products



Our Certifications

