



H5A 100-200W LED High Bay

CE  IP65

The newest 5th generation UFO series LED High Bay light self-developed by **ULEE**. Adopts fin type heat dissipation design, small volume and light weight, heat radiation area is large and temperature rise is small. Adopts Brand MEANWELL-HBG series driver, featured with high stability, long lifetime, PF>0.95 and THD<15%. Adopts the secondary light distribution design, light distribution options with 45°, 60°, 80° and 120°, for different environment usage.

SPECIFICATION

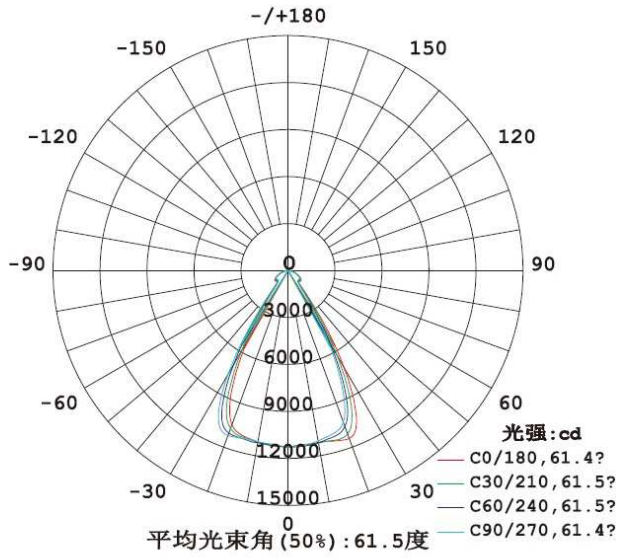
Power Consumption	50W	80W	100W	120W
Instant Output Lumen	5500±5% lm	9600±5% lm	11500±5% lm	13800±5% lm
LED Quantity	90 pcs	203 pcs	203 pcs	203 pcs
Typical System Efficiency	≥110 lm/W	≥120 lm/W	≥115 lm/W	≥115 lm/W
Beam Angle	60°/120°			
Power Consumption	150W	200W	240W	
Instant Output Lumen	16500±5% lm	23000±5% lm	26400±5% lm	
LED Quantity	203 pcs	216 pcs	280 pcs	
Typical System Efficiency	≥110 lm/W	≥115 lm/W	≥110 lm/W	
Beam Angle	60°/120°	45°/80°/120°		

Color	Warm White	Neutral White	Cool White
Color Temperature	3000 ± 300K	4000 ± 300K	5700 ± 300K
Typical CRI	>70	>70	>70
Input Voltage	100 ~ 240V AC		
Frequency	47 ~ 63 Hz		
Operating Temperature	-30°C ~ +80°C		
Storage Temperature	-30°C ~ +50°C		
Material	PC , Aluminum Alloy		
Lifespan	More than 8 years		

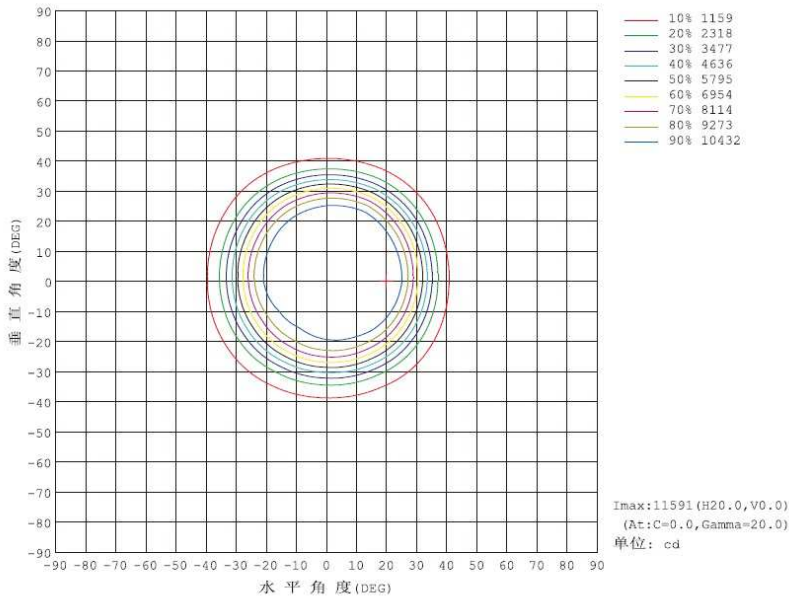
LED SPECIFICATION

LED Brand	PHILIPS	Model No.	1W
LED Size	3.0 × 3.0 × 0.52mm	CRI	>70
Viewing Angle	120°	LED Lumen	120-145 lm

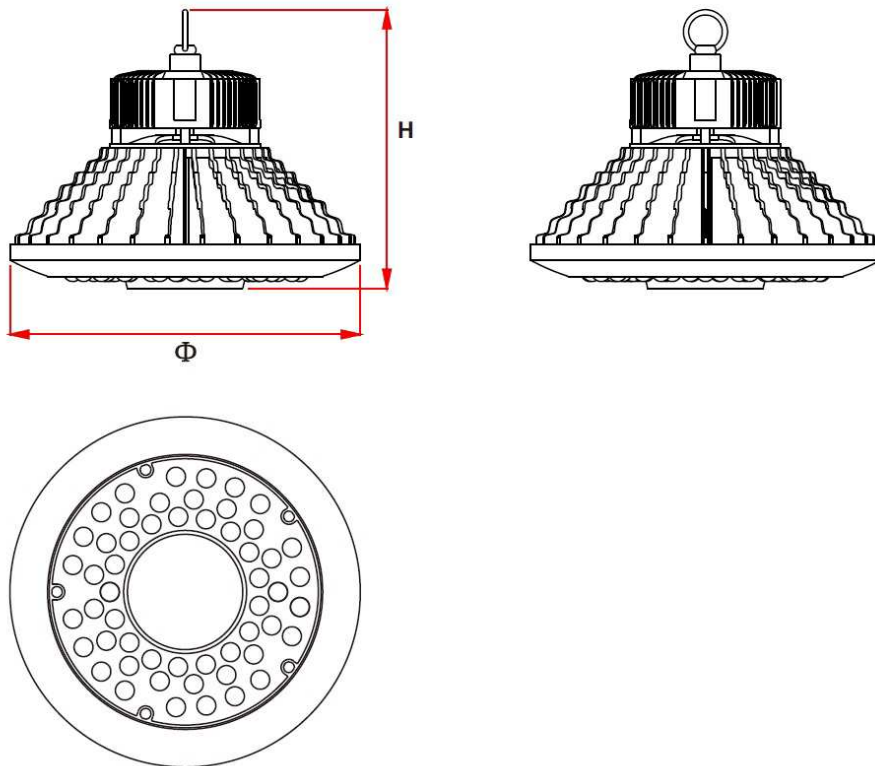
LIGHT DISTRIBUTION CURVE



LUX LEVEL CHART

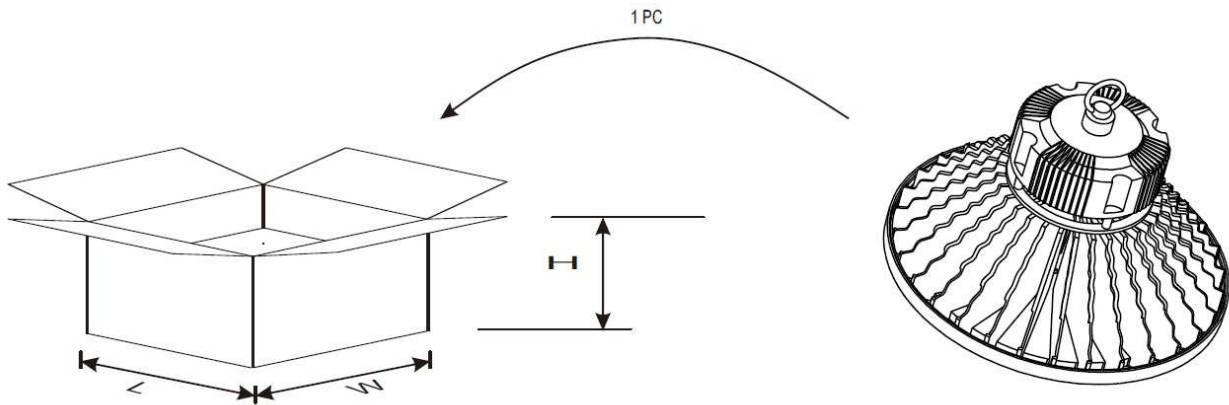


PRODUCT DIMENSION



Model No.	Power Consumption	H	Φ
DMHB-H5A-050	50W	110.5mm	230mm
DMHB-H5A-080	80W	201.5mm	310mm
DMHB-H5A-100	100W	201.5mm	310mm
DMHB-H5A-120	120W	201.5mm	310mm
DMHB-H5A-150	150W	241.5mm	310mm
DMHB-H5A-200	200W	244mm	350mm
DMHB-H5A-240	240W	244mm	350mm

PACKING



Model No.	L	W	H	G.W.
DMHB-H5-050	285mm	285mm	180mm	1.5 kg
DMHB-H5-080	365mm	365mm	226mm	2.6 kg
DMHB-H5-100	365mm	365mm	226mm	2.6 kg
DMHB-H5-120	365mm	365mm	226mm	3 kg
DMHB-H5-150	365mm	365mm	265mm	3.2 kg
DMHB-H5-200	395mm	395mm	266mm	4.2 kg
DMHB-H5-240	395mm	395mm	266mm	4.2 kg