



G3 LED Street Light 30W~300W

ULEELIGHT

- ◆ Biaxial aluminum frame structure design results high structural strength and light weight, can withstand five times of its own weight without any distortion
- ◆ Surplus design results strong environmental applicability and long lifespan.
- ◆ Professional self-cleaning design, prevent sand, dust and leaves stacked, assuring continuous heat dissipation.
- ◆ Excellent secondary optical design, use imported materials to lower optical loss and higher uniformity.
- ◆ Perfect independent protection design results high reliability, can makes the level of waterproof and dustproof reach Ip66.
- ◆ Modular design, easy maintenance, can support high-altitude maintenance on site.
- ◆ LED supplied by reliable famous brand, with proven performance and lifespan.
- ◆ Wide range of power options, can maximum support 300W.
- ◆ Support intelligent control, can be extended for intelligent lighting system.

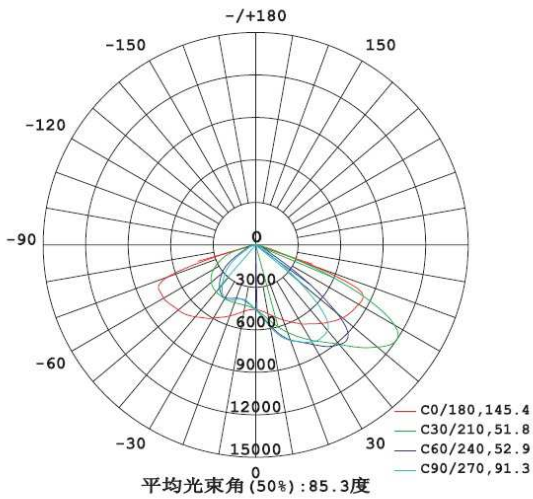
SPECIFICATION

Power Consumption	30W	60W	90W	120W	150W
Instant Output Lumen	3148±5% lm	6436±5% lm	9855±5% lm	13288±5% lm	16610±5% lm
LED Quantity	24 pcs	48 pcs	72 pcs	96 pcs	120 pcs
Typical System Efficiency	>100 lm/W				
Power Consumption	180W	210W	240W	270W	300W
Instant Output Lumen	20153±5% lm	23512±5% lm	26871±5% lm	30562±5% lm	33651±5% lm
LED Quantity	144 pcs	168 pcs	192 pcs	216 pcs	240 pcs
Typical System Efficiency	>100 lm/W				
Color	Neutral White (NW)		Cool White (CW)		
Color Temperature	4000 ± 300K		6000 ± 300K		
Typical CRI	>72		>70		
Beam Angle	145° / 90°				
Input Voltage	90 ~ 264V AC				
Frequency	47 ~ 63Hz				
Storage Temperature	-30 °C ~ +80 °C				
Operating Temperature	-30 °C ~ +50 °C				
Material	Diffuser: Polycarbonate Housing & heat sink: Aluminum alloy				
Lifespan	More than 30,000 Hours @ 70% Lumen Maintenance at 25 °C Room Temperature				
Certification	CE EMC RoHS				

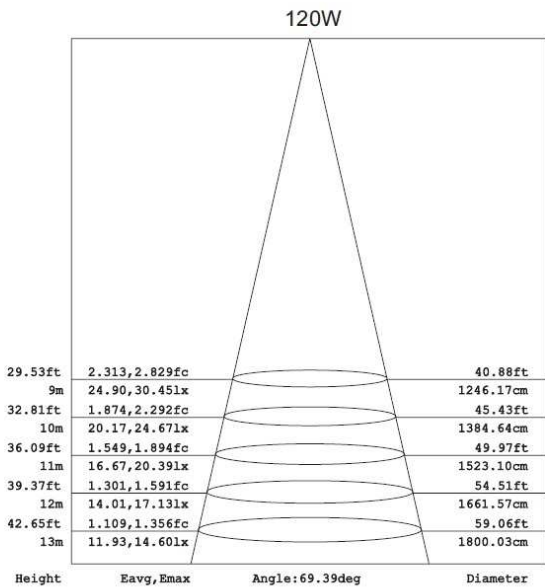
LED SPECIFICATION

LED Brand	CREE	Model No.	1W
LED Size	3.5 × 3.5 × 2.0mm	CRI	>72
Viewing Angle	120°	LED Lumen	110-140 lm
LED Brand	EPISTAR	Model No.	1W
LED Size	3.5 × 3.5 × 2.0mm	CRI	>70
Viewing Angle	120°	LED Lumen	110-140 lm

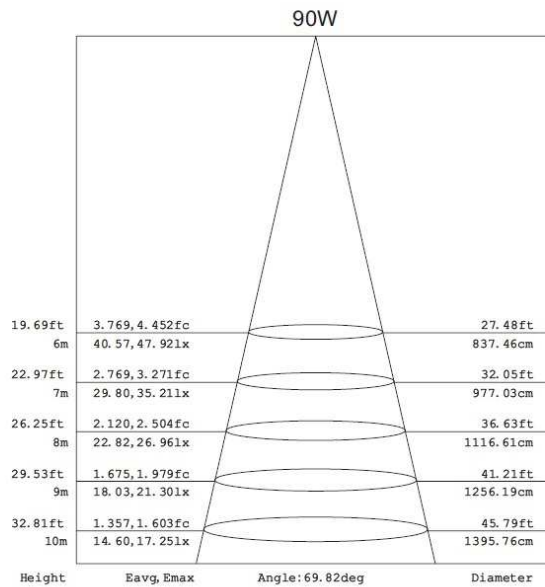
LIGHT DISTRIBUTION CURVE



LUX LEVEL CHART

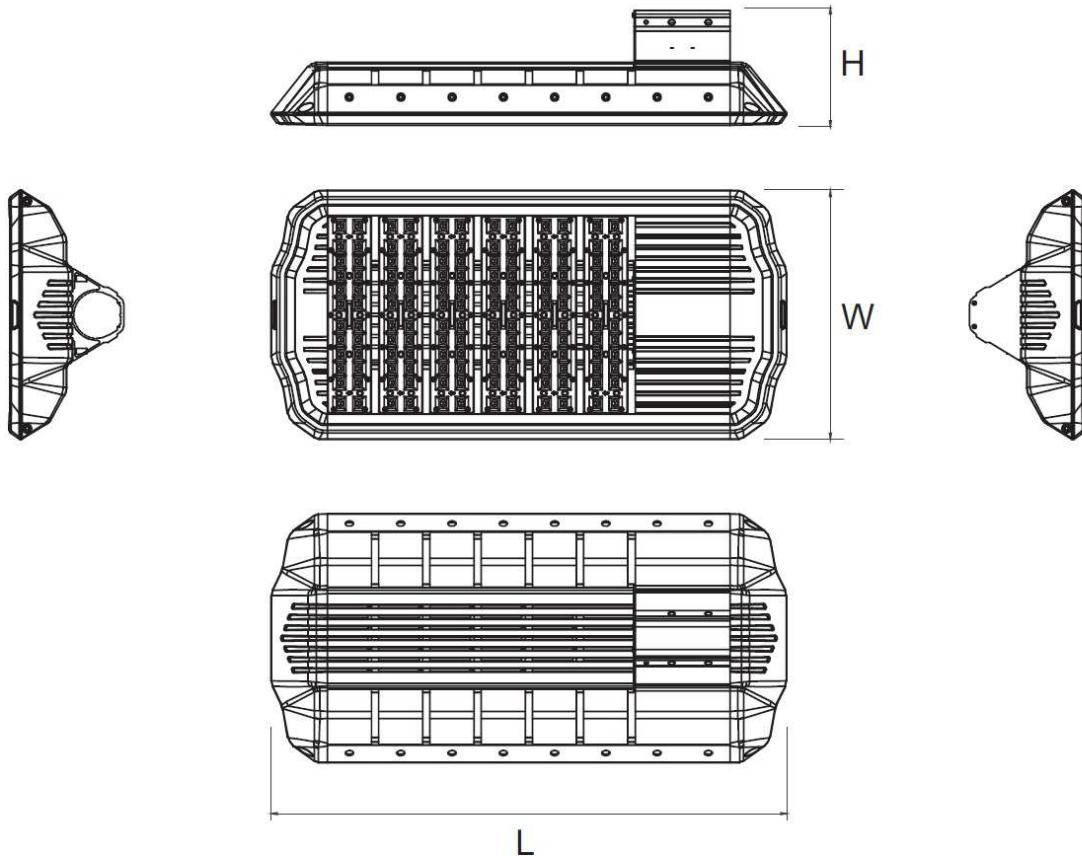


Note: The Curves indicate the illuminated area and the average illumination when the luminaire is at different distance.



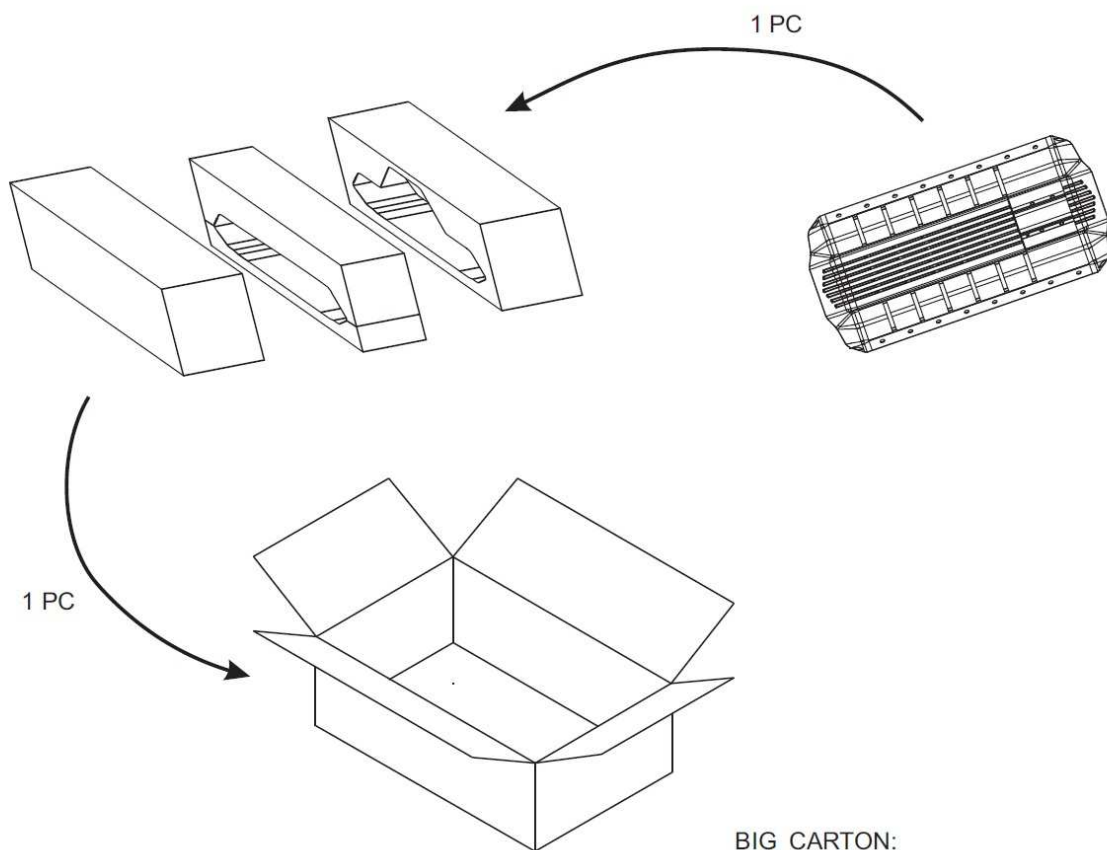
Note: The Curves indicate the illuminated area and the average illumination when the luminaire is at different distance.

PRODUCT DIMENSION



Model No.	Power Consumption	L	W	H
DMSL-G3-030	30W	354mm	340mm	156mm
DMSL-G3-060	60W	424mm	340mm	156mm
DMSL-G3-090	90W	494mm	340mm	156mm
DMSL-G3-120	120W	564mm	340mm	156mm
DMSL-G3-150	150W	634mm	340mm	156mm
DMSL-G3-180	180W	704mm	340mm	156mm
DMSL-G3-210	210W	774mm	340mm	156mm
DMSL-G3-240	240W	844mm	340mm	156mm
DMSL-G3-270	270W	914mm	340mm	156mm
DMSL-G3-300	300W	984mm	340mm	156mm

PACKING



BIG CARTON:
1 PC OF PROJECTOR LIGHT INSIDE
(L mm x W mm x H mm)

Model No.	L	W	H	G.W.
DMSL-G3-030	440mm	425mm	255mm	5.8kg
DMSL-G3-060	510mm	425mm	255mm	6.5kg
DMSL-G3-090	580mm	425mm	255mm	7.8kg
DMSL-G3-120	650mm	425mm	255mm	8.9kg
DMSL-G3-150	720mm	425mm	255mm	9.8kg
DMSL-G3-180	790mm	425mm	255mm	10.9kg
DMSL-G3-210	860mm	425mm	255mm	12.0kg
DMSL-G3-240	930mm	425mm	255mm	12.9kg
DMSL-G3-270	1000mm	425mm	255mm	13.1kg
DMSL-G3-300	1070mm	425mm	255mm	13.8kg